

DOL 44R-33 and iDOL 44R-33 serie Capacitive Relay-Sensor



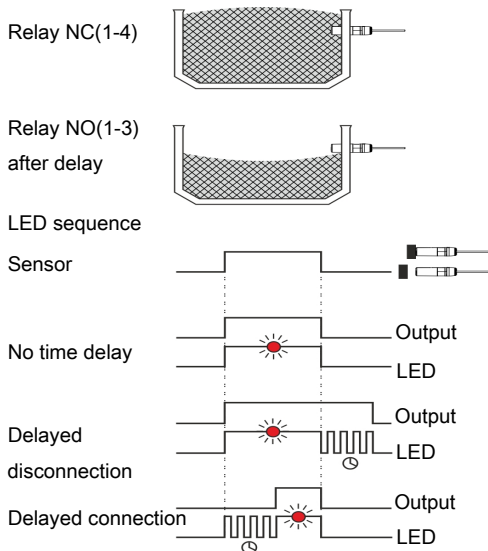
SmartAdjust



DOL 44R-33 / iDOL 44R-33 Serien is designed for general detection of feed, grain and solids in tanks, silos and containers. The powerful integrated relay means that it can control many functions directly.

RELIABILITY

The sensor's electronics are completely embedded in a thermoplastic casing. This achieves a very high resistance to moisture and other external influences in aggressive environments. The sensor is CE, C-UL and UL approved and has a high immunity to noise from electric communication (e.g. from mobile phone) and transients (e.g. from motors and contactors). This makes the sensor very reliable and dependable in operation.



Adjustment

DOL 44R-33 / iDOL 44R-33 the series can be delivered with different functions

DOL 44R-33 has two trimmers with different functions depending on its type

iDOL 44R-33 settings can be adjusted with the SmartAdjust app,

A red LED clearly indicates the current status

The actual functionality of the sensor is indicated on the product label.

Functional description

Delayed disconnection:

fixed delay *or* delay can be adjusted on the trimmer or via the SmartAdjust app.

Delayed connection:

fixed delay *or* delay can be adjusted on the trimmer or via the SmartAdjust app.

Sensitivity:

fixed distance *or* distance can be adjusted on the trimmer or via the SmartAdjust app.

MaxRun-timer:

DOL 44R-33 Settings on the trimmer: Off, periode 1, periode 2
iDOL 44R-33 adjustable 1-7200s via SmartAdjust app

Temperature-controlled heat function (e.g. DOL 44RH)

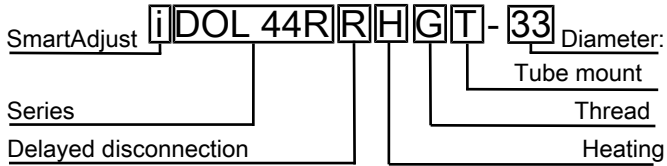

Reliable robust use down to -40 °C

Prevents the built-up of condensation and frost on the sensor

Building-in

DOL 44R-33 / iDOL 44R-33 series is mounted in a plastic gland.

Technical data

Electrical		
Supply voltage Variant dependent	V AC/DC V AC V AC/DC	10-30 90-265 20-280
Frequency	Hz	47 - 63
Max. resistive load, 250 V AC	A	5
Max. inductive load, 250 V AC	A	2
Min. relay current, 12 VDC	mA	100
Safety		Relay switches and supply voltage are galvanically separated. Test voltage 4 kV AC
Specifications		
Variant understanding		
Distance of activation		Adjustable distance depending on variant
Time delay		Adjustable time depending on variant
SmartAdjust	 <p>Activated NFC required</p>	
Mechanical		
Sensor length	mm (inches)	122 (4 13/16)
Sensor diameter	mm (inches)	32 / (1 1/4)
Cable dimensions	mm ² (AWG)	5x 0,5 (5 x 20)
Cable length	m (ft.)	Standard 2 (6.6) / Max 10 (32)
Cable type		UL2517 / UL20549
Weight incl. cable	g (oz)	290 (10.2)
Environment		
Operating temperature	°C (°F)	-20 - +70 (-4 - +158)
Operating temperature UL 508	°C (°F)	-20 - +65 (-4 - +149)
Storage temperature	°C (°F)	-30 - +80 (-22 - +176)
Operating temperature with heating function	°C (°F)	-40 - +70 (-40 - +158)
Protection class	IP (NEMA)	IP69K (1, 3, 4, 6, 12, 13)
Approval		CE, C-UL & UL

Dimensions

