

# DOL 112-PT100 and DOL 112-PT1000 temperature sensor



DOL 112-PT100 and PT1000 are simple temperature sensor. They is well suited for use in environments where a sturdy design is required.  
**ATTENTION** on the cable for DOL 112-PT100, as the resistance in the cable can give an offset to the temperature measurement.

## Table relating to DOL 112 Temperature Sensor Checkup

°C	DOL 112-PT100 Ω	DOL 112-PT1000 Ω	°C	DOL 112-PT100 Ω	DOL 112-PT1000 Ω
-40	84.27	842.74	35	113.61	1136.08
-35	86.25	862.50	40	115.54	1155.41
-30	88.22	882.23	45	117.47	1174.70
-25	90.19	901.93	50	119.40	1193.97
-20	92.16	921.60	55	121.32	1213.21
-15	94.12	941.25	60	123.24	1232.42
-10	96.09	960.86	65	125.16	1251.60
-5	98.04	980.44	70	127.08	1270.75
0	100.00	1000.00	75	128.99	1289.87
5	101.95	1019.53	80	130.90	1308.97
10	103.90	1039.03	85	132.80	1328.03
15	105.85	1058.49	90	134.71	1347.07
20	107.79	1077.94	95	136.61	1366.08
25	109.73	1097.35	100	138.51	1385.06
30	111.67	1116.73			

## Product survey



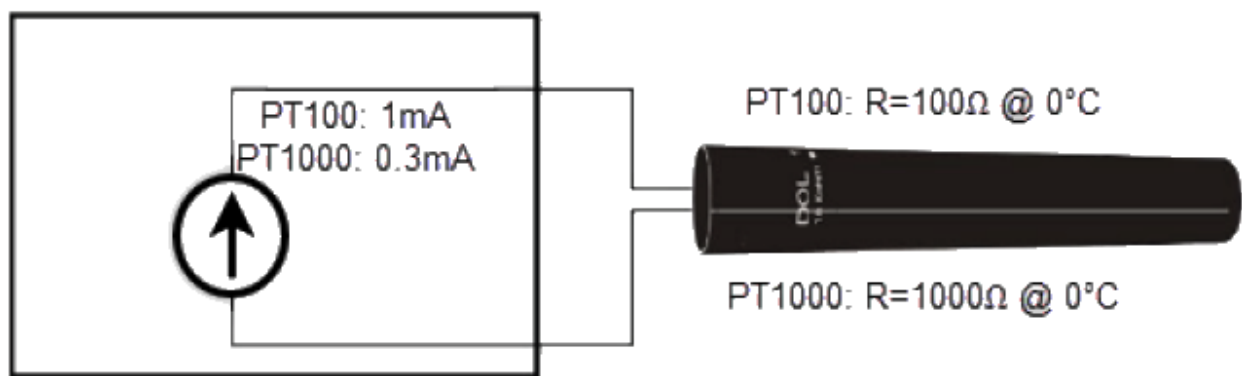
**140382 DOL 112-PT100 temperature sensor**

**140393 DOL 112-PT1000 temperature sensor**

Is used for measuring both inside and outside temperatures.

Cable length: 1.4 m

## Electrical connection



## Technical data

		DOL 112-PT100	DOL 112-PT1000
<b>Electrical</b>			
Measuring range	°C	-40 to +100	
Accuracy	°C	0 to 40°C: ±0.5°C	
Tolerance class		Class B, F0.3	
Time constant	T <sub>63</sub>	5 min. at 0.5 m/s air speed	
Recommended measurement current	mA	1	0.3
Resistance at 25°C	Ω	109.73	1097.35
<b>Mechanical</b>			
Cable		Two-wire, 1.4 m, ø5 mm	
<b>Environment</b>			
Ambient temperature	°C	-40 to +100	
Protection class, electronics	IP	68	
<b>Shipment</b>			
Length, diameter	mm	75, ø14	
Weight incl. cable	g	80	